



## Riva 50 Wood Burning Inset Fires & Multi-fuel Inset Fires

---

Giving a wonderful view of the radiant, dancing flames, the Stovax Riva™ 50 wood burning and multi-fuel inset fire is an impressively efficient new edition to the Riva™ range. With clean, contemporary lines designed to fit into a 22" high and wide fireplace opening, the Riva™ 50 can be installed with relative ease on to a hearth with a 3 sided frame, or with a 4 sided frame to create a 'hole in the wall' look.

Furthermore, the option of a fan-assisted convection circulation kit provides for quicker heat delivery into the room when first lit. The Riva™ 50 inset fire has also been approved for the burning of wood in Smoke Control Areas when fitted with an optional multi-fuel kit.

### KEY FACTS

Brand Stovax

Woodburner - Yes

Multi-fuel - Yes

Maximum efficiency 83%

Maximum log length 350mm (13 3/4")

Flue connection (internal diameter) 128mm (5")

Airwash - Yes

Cleanburn - Yes

Smoke Control Area approved\* - Yes

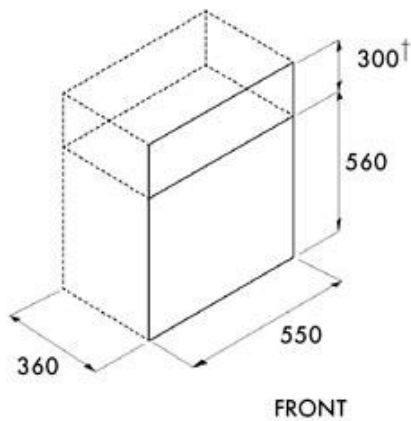
Additional Coloured Frame Options - Yes

\*When fitted with a Smoke Control Kit and used in accordance with the operating instructions

## RIVA 50 INFORMATION

Width	Height	Depth	Weight	Nominal Heat Output & Range	Flue Diameter
540mm	550mm	350mm	80kg	7.0kW (2.2 - 10kW)	128mm

### OPENING DIMENSIONS



†Extra height required when fitting Warm Air Ducting kit.

### CASSETTE

