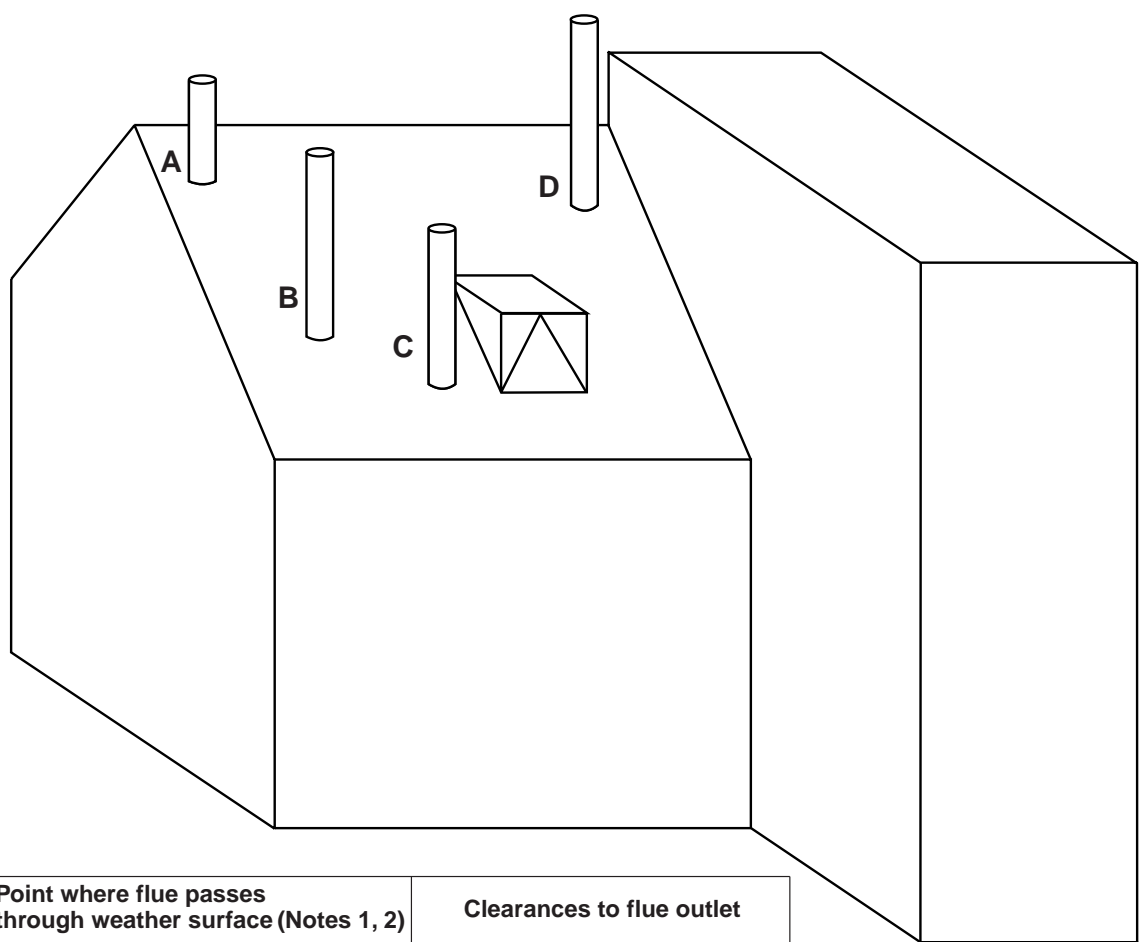
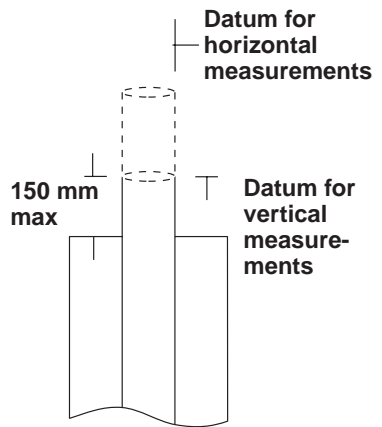


Diagram 2.1: Flue outlet positions for solid fuel appliances



Point where flue passes through weather surface (Notes 1, 2)	Clearances to flue outlet
A at or within 600mm of the ridge.	at least 600mm above the ridge.
B elsewhere on a roof (whether pitched or flat)	at least 2300mm horizontally from the nearest point on the weather surface and: a) at least 1000mm above the highest point of intersection of the chimney and the weather surface; or b) at least as high as the ridge.
C below (on a pitched roof) or within 2300mm horizontally to an openable rooflight, dormer window or other opening. (Note 3)	at least 1000mm above the top of the opening.
D within 2300mm of an adjoining or adjacent building, whether or not beyond the boundary. (Note 3)	at least 600mm above the adjacent building.

- Notes**
- 1) The weather surface is the building external surface, such as its roof, tiles or external walls
 - 2) A flat roof has a pitch less than 10°
 - 3) The clearances given for A or B, as appropriate, will also apply.



The datum for vertical measurements is the point of discharge of the flue, or 150 mm above the insulation, whichever is the lower